



MoticEasyScan Infinity

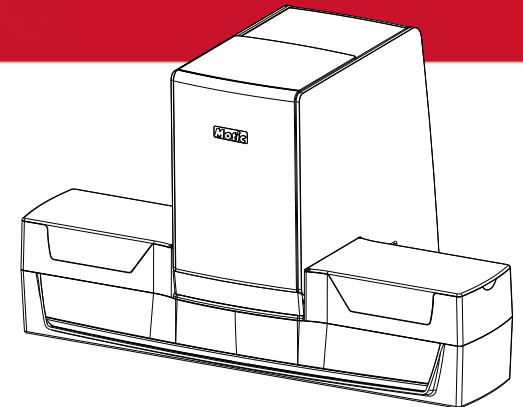
The MoticEasyScan Infinity is Motic's scanning solution for any lab, hospital, or facility in need of reliable, high volume scanning. The robust scanner system offers 60-slide and 102-slide capacity options, both providing efficient, high-quality, high-throughput scanning at 20X and 40X magnifications (additional objectives available). With the innovative Infinity Scanning design, slides can be added to the system on-the-fly, at any time, without interrupting the scanning process.

MoticEasyScan scanners use a specially designed high-NA Plan Apochromatic objective (20X/0.75) to maximize color fidelity and resolution power. Combined with a large 2/3" CCD sensor, the MoticEasyScan is able to image large fields of view in a split second, while delivering image detail equivalent to a high power 40X lens.

MoticEasyScan Infinity

POWERFUL, HIGH CAPACITY IMAGING
WITH A SINGLE CLICK

www.moticeasyscan.com | www.motic.com



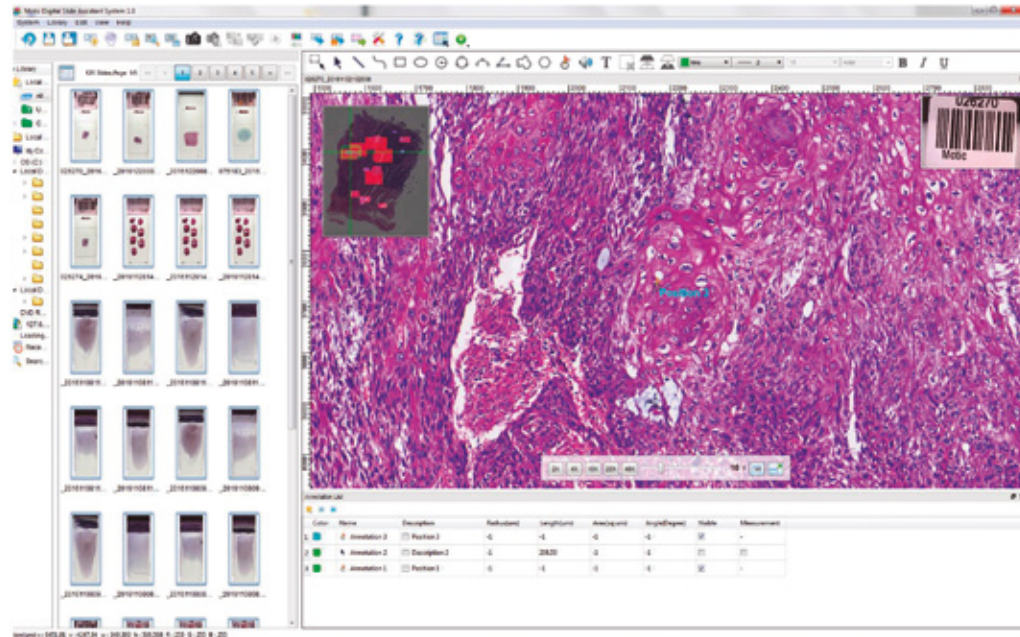
SCANNING YOUR SAMPLE



EasyScanner Software

Scan up to 60 or 102 slides in just one-click. Customized scanning modes may be chosen for the single slides within the slide carrier. Slide labeling through a barcode enables the implementation of the scanning process into the daily workflow.

WORKING WITH YOUR DIGITAL SLIDE



DSAssistant Software

Contains a Tab with the Digital slide library (thumbnails and basic image information), and the Tab for Slide Edition with several tools like image adjustment, annotations, measurements, encryption, image comparison, image export or conference tool for group discussions.

TECHNICAL SPECIFICATIONS	MoticEasyScan Infinity 60	MoticEasyScan Infinity 100
Objectives	Plan APOCHROMAT 20X/0.75	
	S Apo Objective 10X/0.3	
Optical System	CCIS®	
Scanning time (15x15m - full tissue)	Standard mode: 160s (40X - with 20X objective)	
	Standard mode: 60s (20X - with 10X objective)	
Resolution	40X: 0.26µm/pixel	
	20X: 0.52µm/pixel	
Focusing Technique	Real-time autofocus	
Scanning camera	5.0 MP (2/3" high speed Sensor)	
Nosepiece	3 hole	
Light source	10W LED (Lifetime: 25,000 Hours)	
Slide capacity	60 Slides	102 Slides
Slide Tray	6 Slide Capacity (10 trays)	6 Slide Capacity (17 trays)
Slide dimensions	76 x 26mm	
Slide tolerances (mm)	Length: +0/-1, Width: +0/-1	
Scanning mode	Normal (Real-time autofocus)	
	High precision (High precision autofocus)	
	EDF (Extended depth of field)	
	Z-Stack (Three Dimensional stacking)	
Barcode Support	1D: Interleaved 2 of 5, Code 39, Code 128	
	2D: Data Matrix, QR Code	
Computer	Included	
	Dell OptiPlex 7450 All-in-One PC with 4K Resolution	
	Intel Core i7-7700 / 16GB Memory	
	128GB SSD & 1TB SATA Disk	
	DVD Recorder / Wireless Keyboard and Mouse	
	Windows 10 Professional 64-bit	
Monitor	Included: All-in-One 23.8" LED Monitor	
Interface	USB 3.0	
Included software	DSAssistant, DSServer	
	EasyScanner software (for MoticEasyScan Infinity)	
Optional software	DSAConference	
Optional objective	S Apo Objective 40X/0.75	
Optional Modules	Vet Mode (76x50mm slide)	
Dimensions	700 x 398 x 420mm	
Net weight	~33 Kg.	~33.4 Kg.